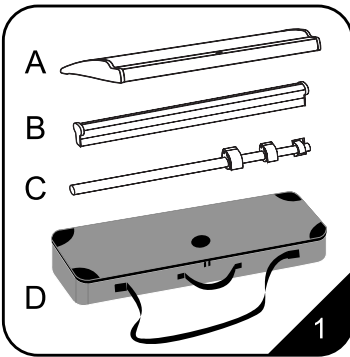
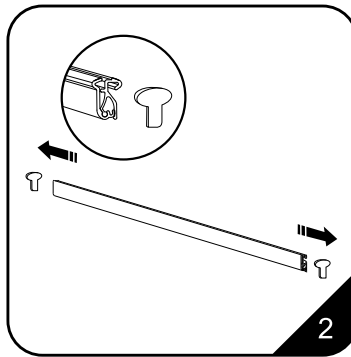


QuickSilver Pro Graphic Installation and Setup

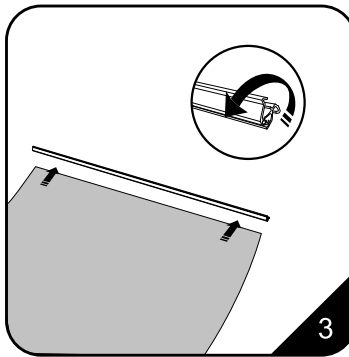
If you purchased your QuickSilver Pro with a banner installed, skip to step 10 for instructions on setting up the display.



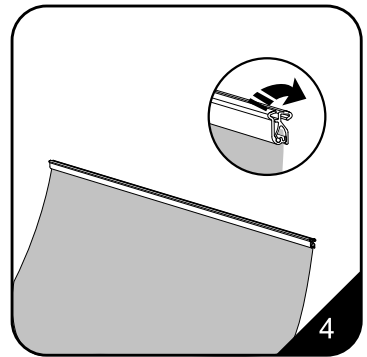
1. The package should contain these instructions, the base unit, head rail, telescopic pole and carry case.



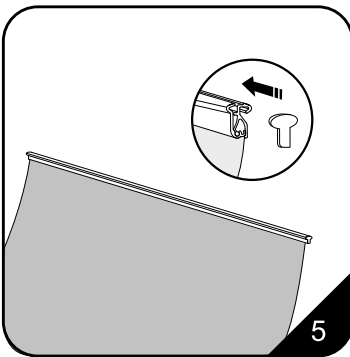
2. Remove the plastic end caps from the top snap rail.



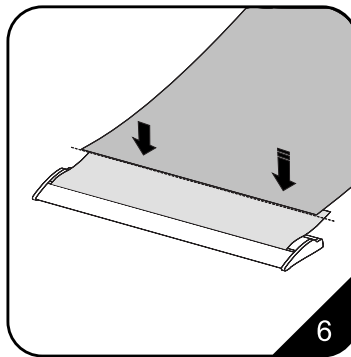
3. Open the top snap rail then insert the top edge of the graphic as far as it will go.



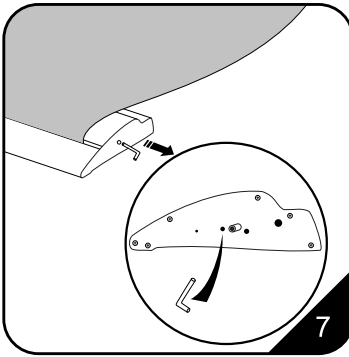
4. Close the top snap rail fully to secure the graphic. It may be easier to lay the graphic on a table and push down hard to close the snap rail completely.



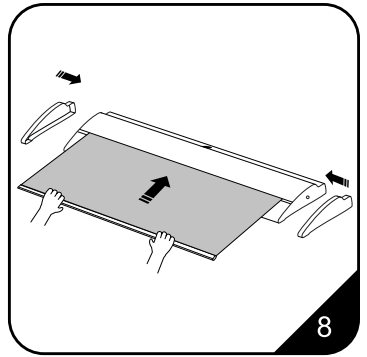
5. Replace the plastic end caps on the top snap rail.



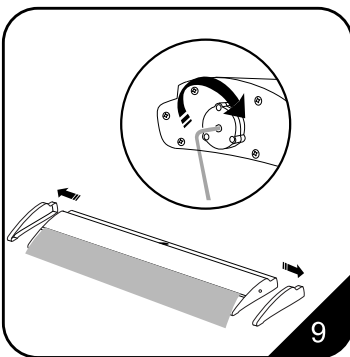
6. Attach the supplied velcro strip to bottom back edge of the graphic. Then stick to the velcro strip on the leader.



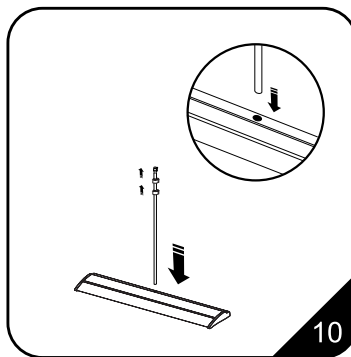
7. Remove the magnetic end caps from the base. While holding the graphic securely, remove the Allen key to release the spring tension.



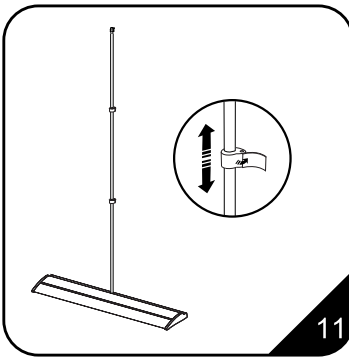
8. Hold the graphic and allow it to slowly retract into the base, guiding the banner away from the edges if necessary. Store the Allen key in the magnetic end cap for future use and replace on the base.



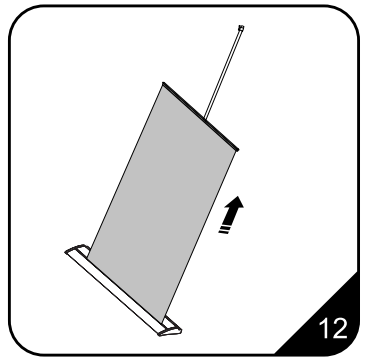
9. If there isn't sufficient tension to fully retract the banner, insert the supplied tool into the hole shown and turn clockwise until the banner is fully retracted, then turn an additional 4 to 5 revolutions



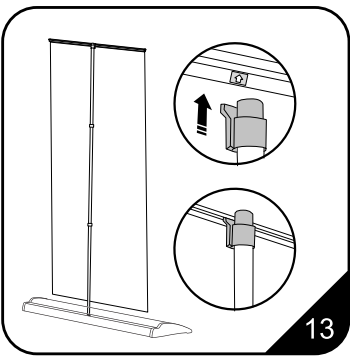
10. Locate the telescopic pole and insert the round end into corresponding hole in the base.



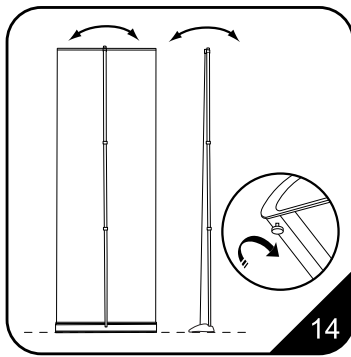
11. Open the lever locks and extend the pole to the desired height and close the levers to lock the pole in that position. Alternately, you can follow steps 12 and 13 and fix the head rail to the pole before extending it.



12. Grasp the head rail of the banner and pull the banner out to the appropriate length, taking care not to let go of the banner. When retracting the banner back into the base,



13. The plastic holder at the top of the pole slips into a slot in the top rail. An arrow indicates the spot where the pole should be inserted. If you've already extended the pole to its full height, tipping the stand back at a 45° angle will make it easier to reach the top of the pole.



14. The unit can be leveled by adjusting the threaded plastic feet at the bottom of the base unit.



CAUTION: Please read the instruction carefully before installation and use.